

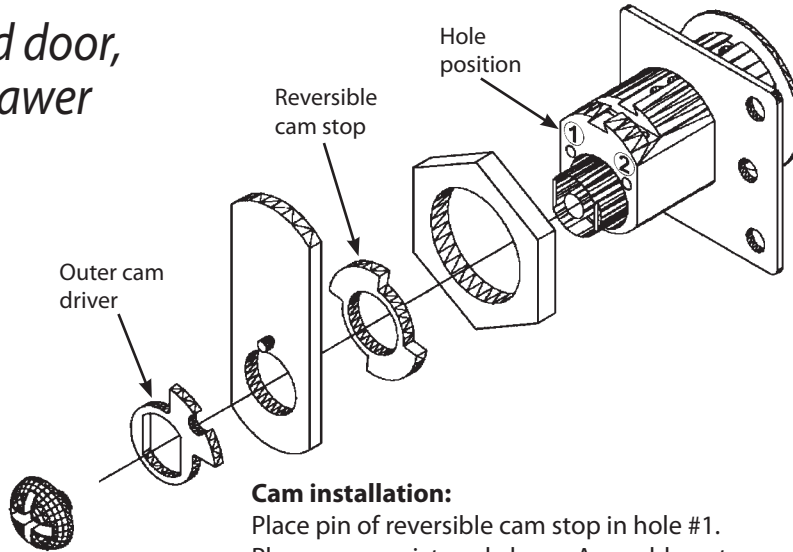
DCN, DCR, B7 Series Cam Locks - Standard Function

CAM ASSEMBLY for key removable in locked or unlocked position (standard function). All below configurations can be used with straight cam or offset cam (in either the inbent or outbent positions).

Function:
right-hand door,
vertical drawer



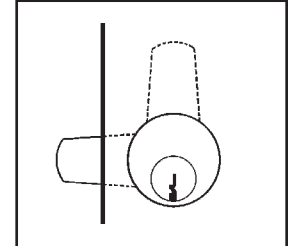
Rear view



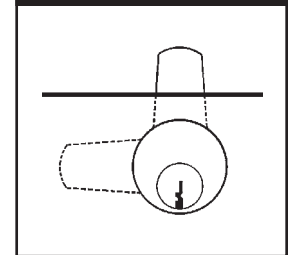
Cam installation:

Place pin of reversible cam stop in hole #1. Place cam as pictured above. Assemble outer cam driver so that the pin from the cam is to left of the "ears." Screw in cam screw until tight.

DOOR



**Key removable
at 9:00 or 12:00**

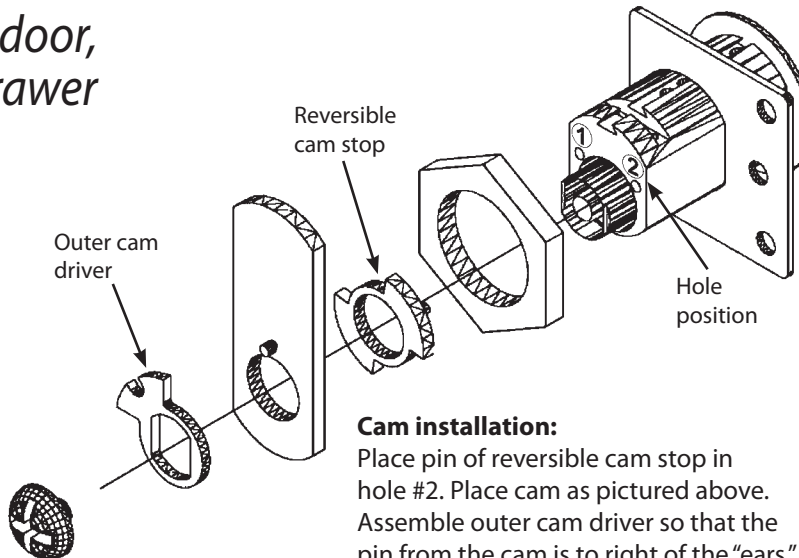


DRAWER

Function:
left-hand door,
vertical drawer



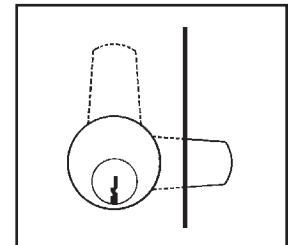
Rear view



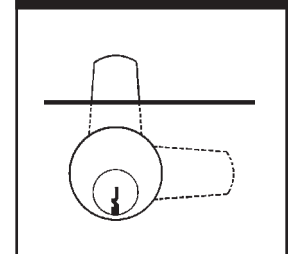
Cam installation:

Place pin of reversible cam stop in hole #2. Place cam as pictured above. Assemble outer cam driver so that the pin from the cam is to right of the "ears." Screw in cam screw until tight.

DOOR



**Key removable
at 12:00 or 3:00**



DRAWER

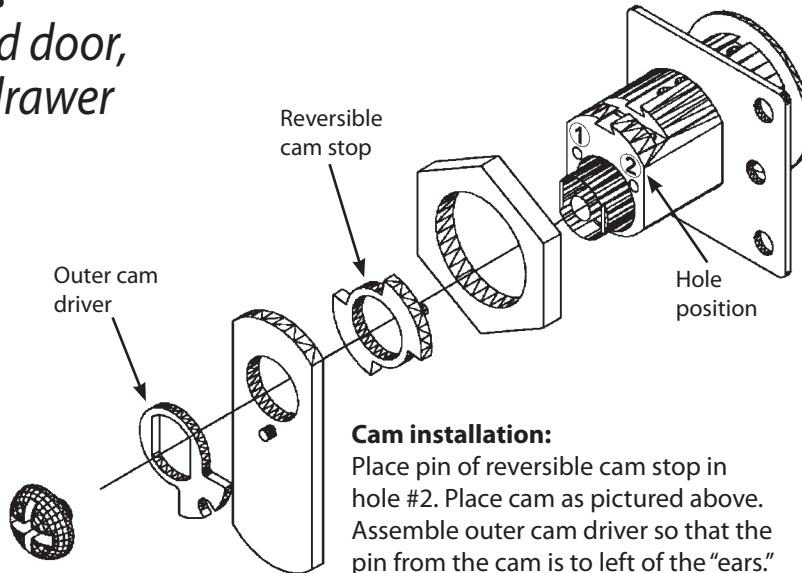
DCN, DCR, B7 Series Cam Locks - *Standard Function*

CAM ASSEMBLY for key removable in locked or unlocked position (*standard function*). All below configurations can be used with straight cam or offset cam (in either the inbent or outbent positions).

Function:
right-hand door,
inverted drawer



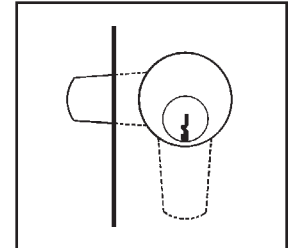
Rear view



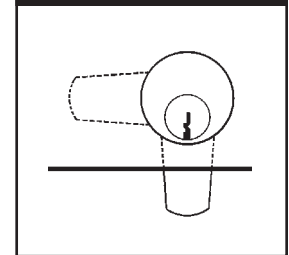
Cam installation:

Place pin of reversible cam stop in hole #2. Place cam as pictured above. Assemble outer cam driver so that the pin from the cam is to left of the "ears." Screw in cam screw until tight.

DOOR



**Key removable
at 6:00 or 9:00**

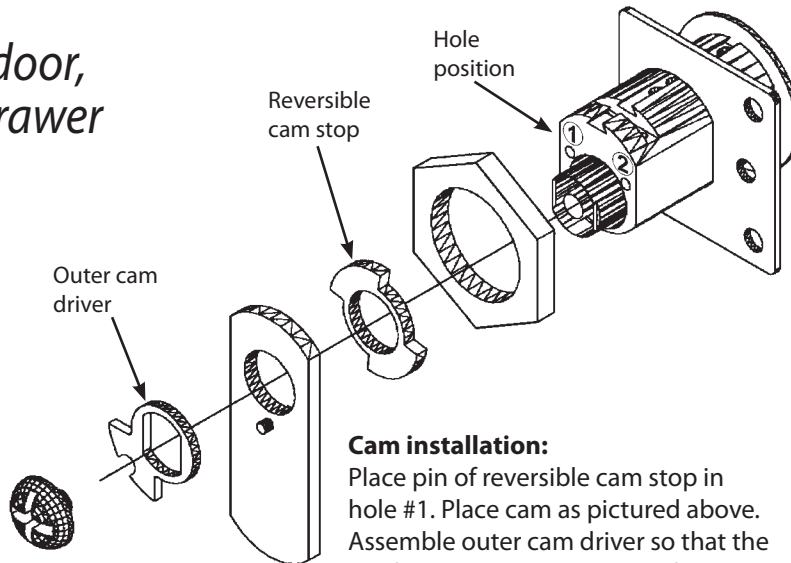


DRAWER

Function:
left-hand door,
inverted drawer



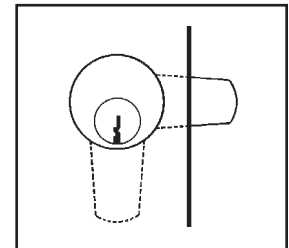
Rear view



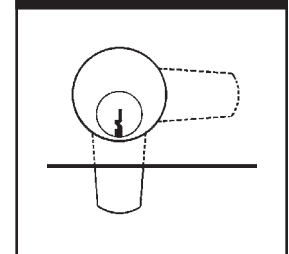
Cam installation:

Place pin of reversible cam stop in hole #1. Place cam as pictured above. Assemble outer cam driver so that the pin from the cam is to right of the "ears." Screw in cam screw until tight.

DOOR



**Key removable
at 3:00 or 6:00**



DRAWER



18424 Highway 99, Lynnwood, WA 98037
206-362-3290 | 800-525-0954 | Fax 206-362-3569
www.olympus-lock.com